

EUPHORIA

HANDCRAFTED IN AMERICA
 sonomatilemakers.com

Applications

- Interior walls
- Showers (no steam)
- Pools (except freeze thaw areas)
- Exteriors (including freeze thaw, except on horizontal surfaces where water can accumulate)

Variation in shade, color, texture and size are inherent characteristics of these handcrafted tiles. Euphoria glaze formulations and firing process are an evolution of the traditional Raku process, a type of Japanese pottery. The result is a uniquely beautiful tile where no two pieces are exactly alike. As such, the tiles finally purchased will vary from both the catalog illustrations and samples. Once properly installed, the beauty of this handcrafted tile is enhanced by such variation.

See our Tech Info for more detailed information at sonomatilemakers.com/installation

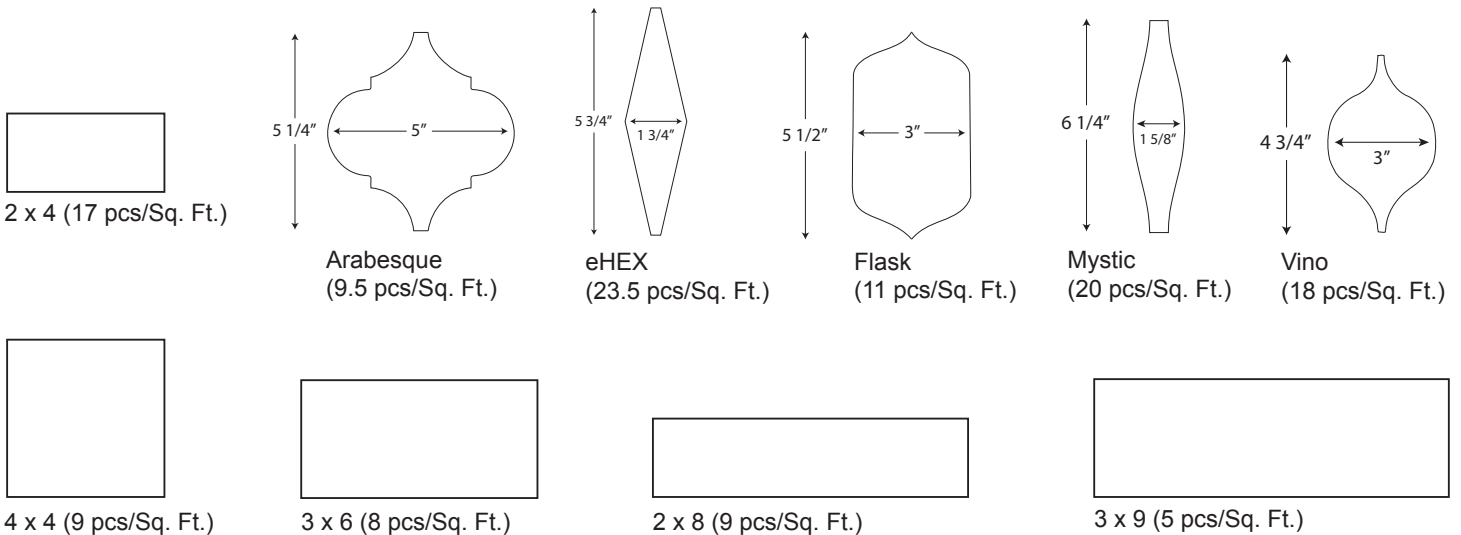


Test Results

Test Number:	Test Name:	Test Results:
ASTMC650	Chemical Resistance	May be affected by some common household and cleaning chemicals
ASTMC1026	Freeze Thaw Resistance	Pass (except on horizontal surfaces where water can accumulate)

Field Sizes and Shapes Available | All sizes nominal

Bullnose available in select sizes.



Scan for more info

EUPHORIA

HANDCRAFTED IN AMERICA

sonomatilemakers.com

Colors

Name:	Code:	Finish:	Swatch:
Cloud Nine	CLN	Crackle	
Tres Chic	TRE	Crackle	
Summer Breeze	SUB	Crackle	
Parrot Cay	PAR	Luster	
Amazing Grace	AMG	Crackle	
Voo Doo	VOO	Crackle	
Thunder Road	THU	Luster	
Ruby Sky	RUB	Luster	
Spanish Eyes	SPE	Luster	

Name:	Code:	Finish:	Swatch:
Yellow Submarine	YES	Luster	
Mellow Yellow	MEY	Crackle	
Autumn Leaves	AUT	Luster	
Margaritaville	MRV	Luster	
Creekside	CRK	Crackle	
Reggae Dancing	REG	Crackle	
Tapestry	TPY	Luster	
Rainforest	RFS	Luster	
After Midnight	AFT	Luster	

Euphoria glazes are subject to an **EXTREME** range of color variation where no two pieces are exactly alike. An experienced craftsperson must lay out tiles prior to setting to allow for blending of the color range.